

# Pacific V-GTX 9 Series Reference Design Transparent

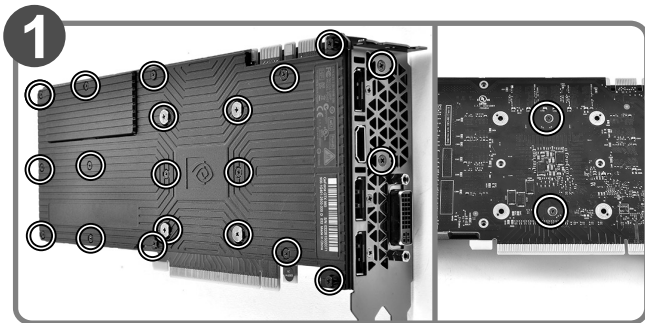
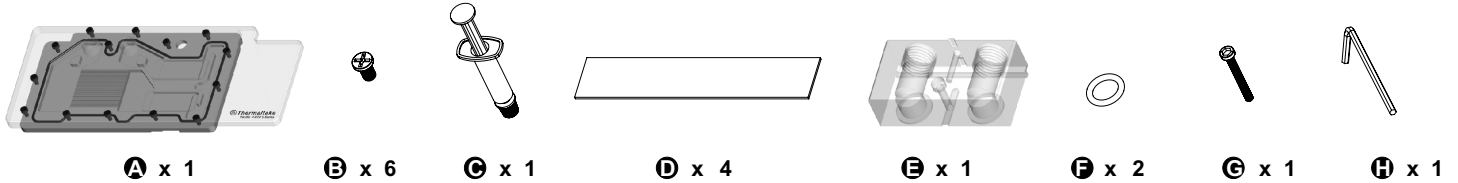
## VGA Water Block

This product is intended for installation only by expert users. Please consult with a qualified technician for installation. Improper installation may result in damage to your equipment.

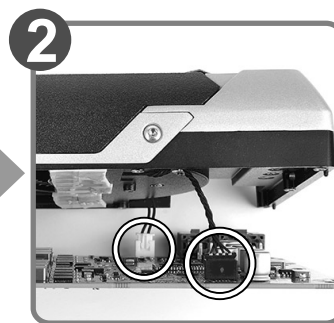
Before you start using this product please follow these basic guidelines:

1. Please carefully read through the instruction manual before beginning the installation process.
2. Please remove your graphics card from your motherboard to insure the safest process and in order to prevent any possible damages to your CPU and motherboard.
3. It is strongly recommended to use market proven pre-mix coolant, such as Thermaltake Coolant 1000.

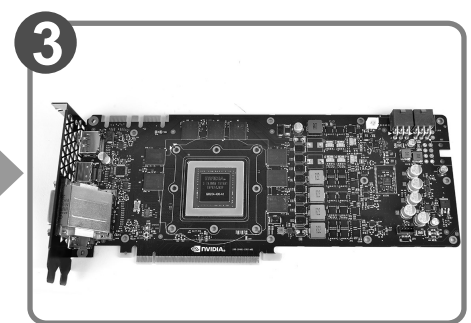
### Parts List



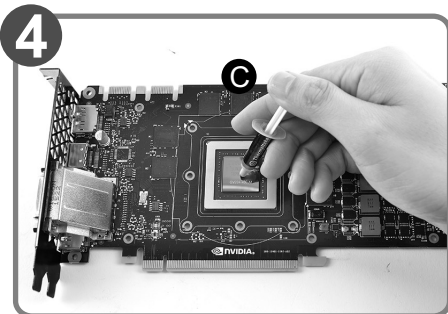
Remove original VGA stock cooler (Remove the screws circled on the diagram. All heat sink assembly screws should be removed)



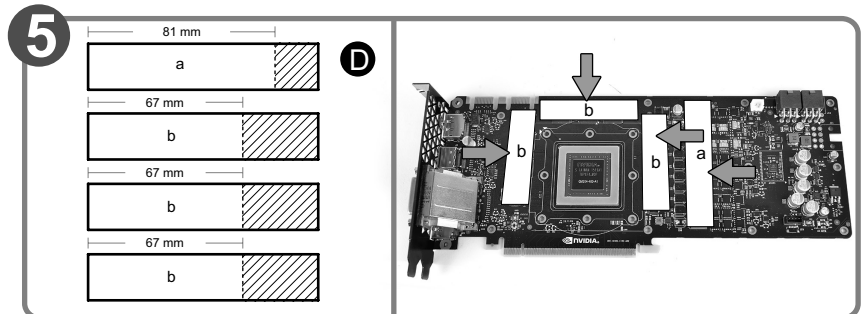
Remove the power connector



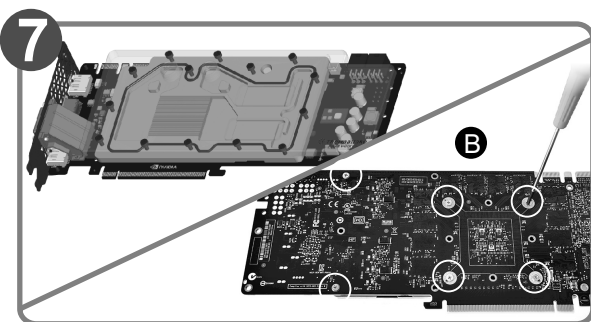
Clean the original thermal compound off the GPU die. (Carefully detach the original stock cooler after removing all screws securing the cooler to the board)



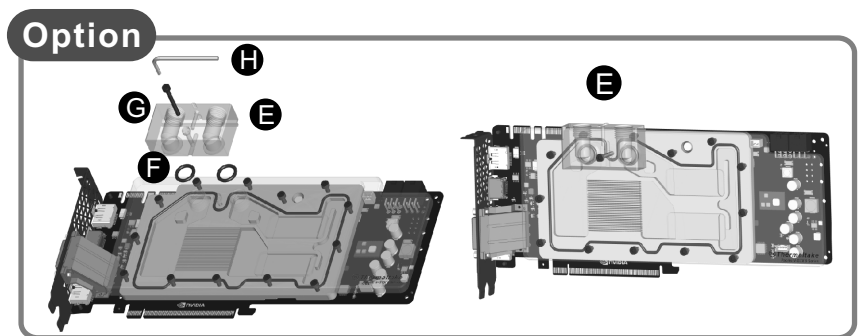
Apply thermal compound



Cut the thermal pads to the dimensions listed and place them on the spots shown on the diagram.



When installing the water block, carefully position the water block with the preinstalled standoffs on the graphics card.



Terminal installation